

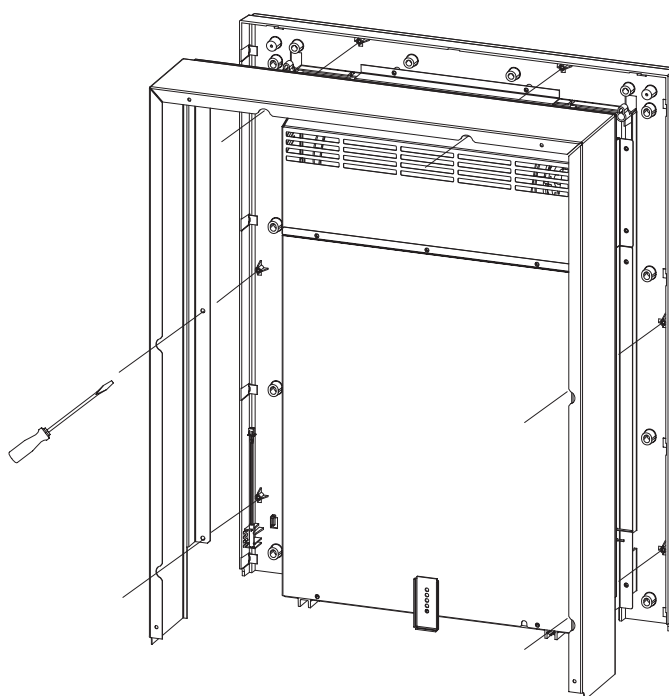
Introduction

This spacer is suitable for the following Optimyst Inset Fires;
CRS20, & PNN20.

Installation

Offer the spacer up to the back of the fire. The front of the spacer sits inside the existing surround.

Using the 6 screws provided and a pozi-head screw driver, screw the spacer in place ensuring that the top and side edges of the spacer line up with the top and sides of the fire frame - see diagram



Cleaning

For general cleaning use a soft clean duster.
Never use abrasive cleaners

8/54386/0 Issue 1

Dimplex
Millbrook House,
Grange Drive,
Hedge End,
Southampton,
Hampshire,
SO30 2DF

Tel 0844 879 3588
Website www.dimplex.co.uk

Republic of Ireland
Tel 01 8428222

© Glen Dimplex Heating & Ventilation.

All rights reserved. Material contained in this publication may not be reproduced in whole or part, without prior permission in writing of Glen Dimplex Heating & Ventilation.