

HV C heating

expansion vessels

8 to 140 litres



altecnic

HV C heating expansion vessels - 8 to 140 litres



Introduction

Altecnic offer a complete range of expansion vessels to meet the requirements of most heating or cooling systems.

Expansion vessels for heating systems are manufactured to meet the requirements of PED 97/23/EC Directive and BS EN 13831:2007 'Closed expansion vessels with built in diaphragm for installation in water'.

Design

The two halves of the vessel and the diaphragm are retained by a crimped collar to give a pressure tight seal on all sizes.

Non-replaceable diaphragm.

Epoxy coated in grey.

Suitable for flow temperatures up to 120°C, resistant to ethylene or propylene glycol mixtures and has low gas permeability.

Altecnic expansion vessels are all tested according to the Pressure Equipment Directive.

How It Works

In a closed heating system water cannot be compressed so any increase in volume, created by an increase in temperature, has to be accommodated by an expansion vessel.

When water is cold, the pre-charge pressure forces the diaphragm against the tank towards the inlet.

As the temperature increases, the expanded water volume pushes against the diaphragm creating additional volume for the water to enter.

When the temperature decreases, the pre-charge pressure forces the water from the tank and back into the main heating system.

This maintains a constant pressure within the heating system helping to reduce energy consumption.

Component	Material
Shell	Carbon Steel
Connections	Carbon Steel
Diaphragm	Synthetic rubber compound
Coating	Powder Epoxy

Technical Specification

Max. working pressure	8 to 35 litres	3 bar
	50 to 140 litres	6 bar
Test pressure	1.5 x max working pressure	
Max. vessel operating temperature	70° C	
Factory pre-charge	1.5 bar - nitrogen	

© Patents & Design Altecnic 2020

Altecnic Ltd retains all rights (including patents, designs and copyrights, trademarks and any other intellectual property rights) in relation to all information provided on or via the website, brochures or any other documents, including all texts, graphics and logos, contained on the website, in brochures or in any other documents published in the name of or on behalf of Altecnic Ltd in any form, without prior written consent of Altecnic Ltd.

Altecnic Ltd Mustang Drive, Stafford, Staffordshire ST16 1GW

T: +44 (0)1785 218200 E: sales@altecnic.co.uk

Registered in England No: 2095101

altecnic.co.uk

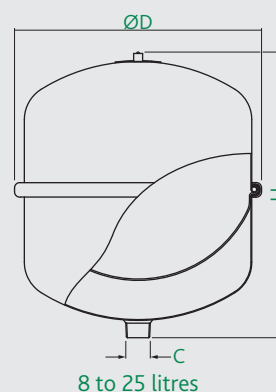
AL 109 03-09-20

E & O.E

© Altecnic Limited. 2020

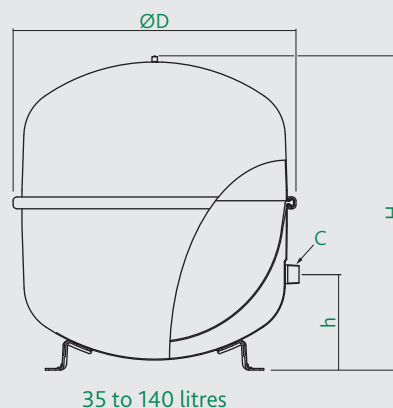
ALTECNIC™

Dimensions



8 to 25 litres

Ref No	Capacity	ØD	H	C	Weight
	litres	mm	mm	Connection	kg
HV8C	8	272	236	R¾	1.7
HV12C	12	272	313	R¾	2.8
HV18C	18	308	360	R¾	3.6
HV25C	25	308	481	R¾	4.4



35 to 140 litres

Ref No	Capacity	ØD	H	h	C	Weight
	litres	mm	mm	mm	Connection	kg
HV35C	35	376	466	130	R¾	5.6
HV50C	50	441	487	175	R¾	9.6
HV80C	80	512	558	172	R1	13.3
HV100C	100	512	669	172	R1	15.8
HV140C	140	512	890	172	R1	19.9

CE marked

Accessories - Vessels 8 to 25 litres

Wall bracket with retaining strap - RS MB